

USING A COMMERCIAL VOLUME PEDAL TO CONTROL SPEED.

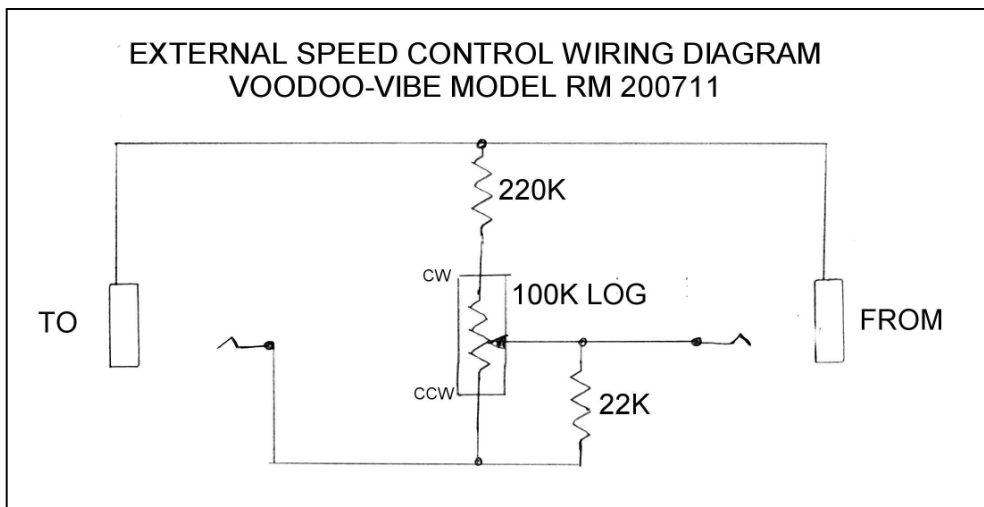
Model Before RM 200711

These models can be identified by seeing if there are two or three 14 pin IC's. If there are three IC's on the PC card you can use a commercial volume pedal without modification that has a value of 100K log -470K log. Connect the passive volume or expression pedal into the master unit using the **TO** and **FROM** jack sockets.

Model RM 200711

This model has two 14 pin IC's and a commercially available passive expression or volume pedal can be easily modified to provide external foot control of the sweep speed. The type of pedal to use is one that directly controls a potentiometer by a gear system or direct linkage. Boss, Dunlop and Ernie Ball all manufacture models that can be modified.

The diagram below shows a 100K log pot as in the master unit to provide the same sweep range. If your pedal has a different value potentiometer please consult table for component values to use. Connect this modified passive volume or expression pedal into the master unit using the **TO** and **FROM** jack sockets.



Pot value	R1	R2
100k Log	22K	220K
220k-250k Log	47K	470K
470k-500k Log	100K	1M