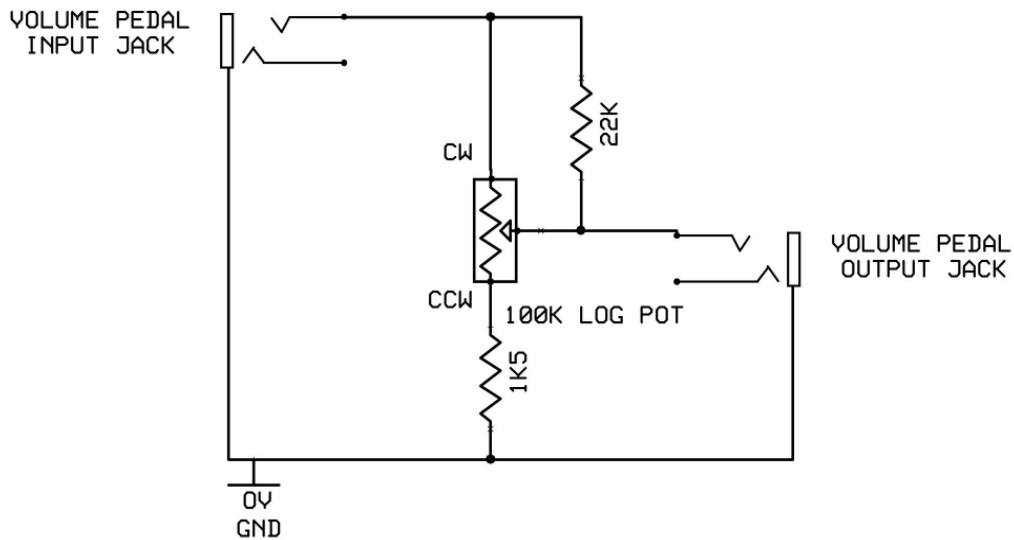


**Voodoo-Vibe + External Speed Control**



A standard type Volume Pedal or Wah Pedal can be used to control the speed of the Voodoo-Vibe+. Please follow the above diagram for the wiring modifications necessary to duplicate the full range of speed control.

The pedal you select should have a rack and pinion driven potentiometer not an alternative electronic type of control.

These types would include Dunlop Cry Baby Types and Vox Wah pedals plus the Chinese Clones of these pedals. Most of these wah pedals use a 100K potentiometer but please check out the value first to see if a replacement potentiometer is needed.